



ToasterPRO

model #: **6800A, 6800A-B**

Get perfectly crisp golden-brown toast with Nemco's new ToasterPRO. This two-slice conveyor toaster is great for bread, bagels, English muffins, pre-made waffles and other toasted favorites. Easily switch between adjustable heat settings to achieve the perfect level of crispiness for any type of bread. The ToasterPRO features a robust heat shield with an exterior that stays cool to the touch.



STANDARD FEATURES

- 2-slice conveyor toaster
- Available with stainless steel or black powder coated finish
- Can toast up to 300 slices per hour
- Robust heat shield
- Cool-touch exterior
- Adjustable settings based on desired doneness
- Easily switch between modes of toasting top only, toasting top and bottom, standby or off
- Standby mode runs the topside element at a low temperature, saving energy when not in use, but generating faster, more efficient recovery when switched back into use
- Removable crumb tray for easy cleanup
- 2¼" chute opening

SPECIFICATIONS

Dimensions (w x d x h): 14½" x 19¼" x 16½"

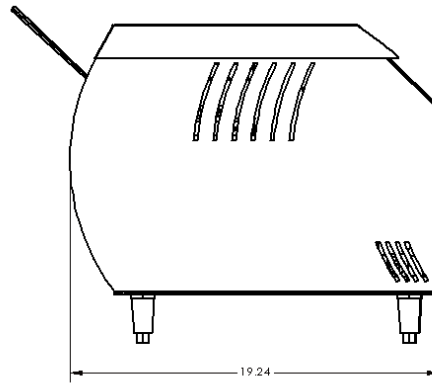
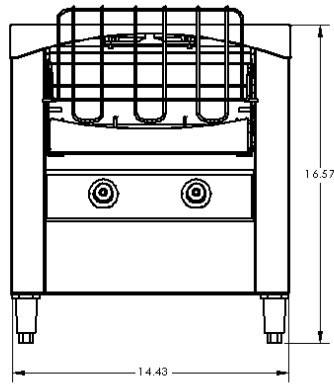
Weight: 42 lbs

Shipping Weight: 47 lbs

Electrical: 120 Volts, 13.8 Amps, 1660 Watts



ToasterPRO



Model #	Description	Volts	Watts	Amps	Size (W x D x H)	Plug Configuration
6800A	2-Slice Conveyor Toaster, Stainless Steel	120	1660	13.8	14½" x 19¼" x 16½"	NEMA 5-15P
6800A-B	2-Slice Conveyor Toaster, Black Powder Coated	120	1660	13.8	14½" x 19¼" x 16½"	NEMA 5-15P

*Note: dimensions are approximate

TYPICAL SPECIFICATIONS

Nemco ToasterPRO shall be constructed with stainless steel. Unit shall have a robust heat shield with a cool-touch exterior. The unit shall be equipped with tubular heating elements. Models shall have a 6' cord and NEMA 5-15P.