



Get the same superior Nemco warmer performance, now with a sleeker countertop look! You'll enjoy greater menu flexibility and the ability to respond efficiently to changing menu requirements. Plus the reliable adjustable thermostat helps ensure that food held in serving lines is always within your food safety temperature guidelines. Unique heating element design provides even heat distribution to prevent "hot spots".

Drop-In Warmers

model #: **6160, 6160-CW, 6161, 6161-CW, 6162, 6162-CW**

STANDARD FEATURES

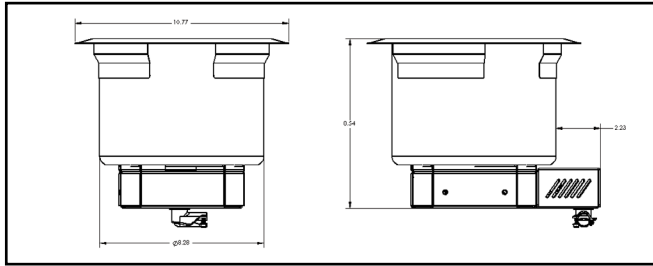
- Full Size, 7 Quart Round and 11 Quart Round
- All sizes available as a Warmer or Cooker Warmer
- Durable, stainless steel wells
- Unique tubular heating elements provide even heat distribution to prevent "hot spots"
- Adjustable thermostat from 120° F to 212° F
- Heating system design allows for fast preheat and extended life of unit

ACCESSORIES

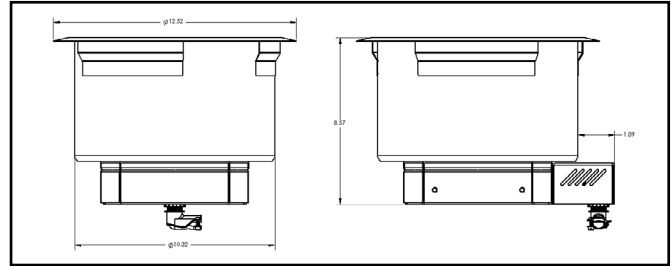
- Adapter bars and adapter plates available for additional pan sizes (Full Size)
- Inset, cover and ladle (7 Quart and 11 Quart Round)



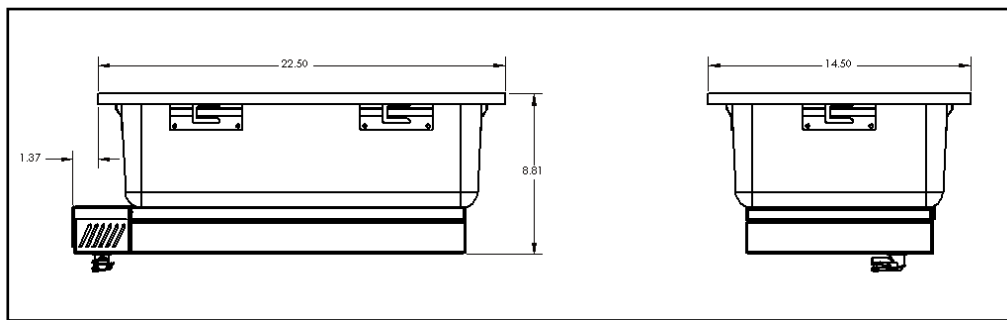
Drop-In Warmers



#6160



#6161



#6162

Model #	Description	Volts	Watts	Amps	Size (W x D x H)	Plug Configuration
6160	7 Quart Drop-In Warmer	120	550	4.6	10.77" x - x 8.54"	NEMA 5-15P
6160-CW	7 Quart Drop-In Cooker Warmer	120	1050	8.8	10.77" x - x 8.54"	NEMA 5-15P
6161	11 Quart Drop-In Warmer	120	750	6.3	12.52" x - x 8.57"	NEMA 5-15P
6161-CW	11 Quart Drop-In Cooker Warmer	120	1250	10.4	12.52" x - x 8.57"	NEMA 5-15P
6162	Full Size Drop-In Warmer	120	1200	10	14.50" x 22.50" x 8.81"	NEMA 5-15P
6162-CW	Full Size Drop-In Cooker Warmer	120	1500	12.5	14.50" x 22.50" x 8.81"	NEMA 5-15P

*Note: dimensions are approximate

Models also available in 220 volt and 230 volt.

TYPICAL SPECIFICATIONS

Nemco Drop-In Warmers shall be constructed with 300 series stainless steel wells. They shall have tubular heating elements attached to an aluminum heat dissipating plate. All models shall have an adjustable bulb and capillary thermostat and a pilot light that cycles with the operation of the heating element. 120V models shall have a 6' cord and NEMA 5-15P plug, the 220V models shall have a 6' cord and NEMA 6-15P, and the 230V models shall have a 6' cord and SCHUKO CEE-7-7 plug.